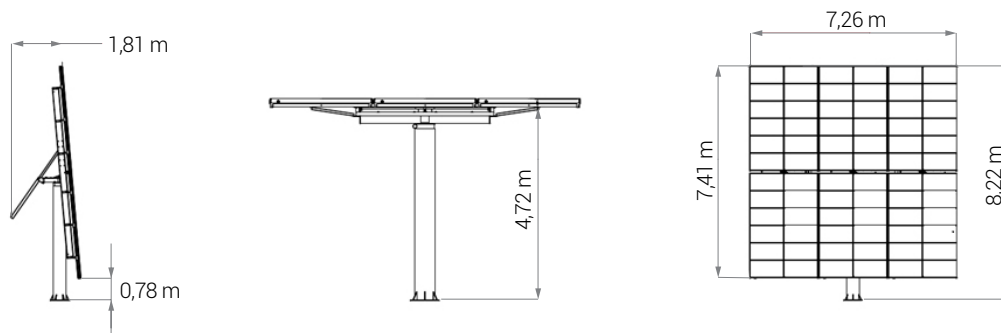


# High Precision Tracking

An example of HPT applied to High-Concentration Photovoltaic: Butterfly, the leading European HCPV tracker.

Butterfly is an innovative complete high-concentration photovoltaic (HCPV) system, certified according to IEC 62108, in which Fresnel lenses focus sunlight onto small multi-junction cells of the latest generation..



## Specifications

<b>Tracking Type</b>	Dual-axis
<b>Total Area</b>	55 m <sup>2</sup>
<b>Panel Area</b>	53 m <sup>2</sup>
<b>Structure Specific Weight</b>	124 kg/kWp
<b>System Weight</b>	3000 kg
<b>Tracker table weight (incl. drive and without HCPV modules, cabling and basis)</b>	1.090 kg
<b>Mast weight</b>	400 kg
<b>Wind Designed and Tested to withstand</b>	Winds up to 120 km/h in working configuration
<b>Wind Designed and Tested to work</b>	With winds up to 54 km/h
<b>Wind Protection Automatic System</b>	Active if wind speed >54 km/h
<b>Pointing Accuracy</b>	+/- 0.1°
<b>Horizontal Plane Rotation Angles</b>	15° ÷ 345°
<b>Vertical Plane Rotation Angles</b>	6° ÷ 86°
<b>Pointing Strategy</b>	Hybrid (solar pointing sensor and astronomical algorithms) with a procedure for maximizing the energy produced
<b>Type of Motor</b>	DC, 24 V
<b>Motor Protection class</b>	IP 65
<b>Typical/maximum absorption with active motors</b>	150 W / 360 W
<b>Control board typical consumption</b>	< 1 W
<b>Tracking energy consumption</b>	100 kWh/yr
<b>Footprint on the Ground</b>	< 1m <sup>2</sup>
<b>Anchorage System</b>	<ul style="list-style-type: none"><li>• screw foundations (anchorages on the ground, without concrete foundations)</li><li>• concrete foundations</li></ul>
<b>Operating Ambient Temperature</b>	-25°C ÷ 60°C

## Ordering info

**Link** [www.sunto.technology/tracking/HPT#order](http://www.sunto.technology/tracking/HPT#order)

**Email** [sales@sunto.technology](mailto:sales@sunto.technology)