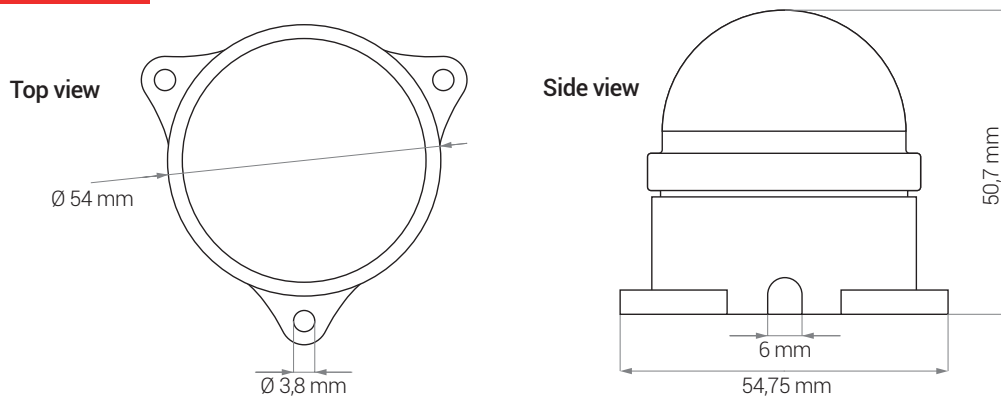


# Solar Tracking Sensor

## Dimensions



## Specifications

Pointing error	0.01° degree
Viewing angle in both directions	180°
Operating temperature range	-30°C ÷ 80°C
Output	4-channel analogue, between 0 – Operating Voltage
Operating voltage	3-12 V
Operating current	100 mA
IP (International Protection)	67

## Ordering info

**Link** [www.sunto.technology/sensing/STS#order](http://www.sunto.technology/sensing/STS#order)  
**Email** [sales@sunto.technology](mailto:sales@sunto.technology)