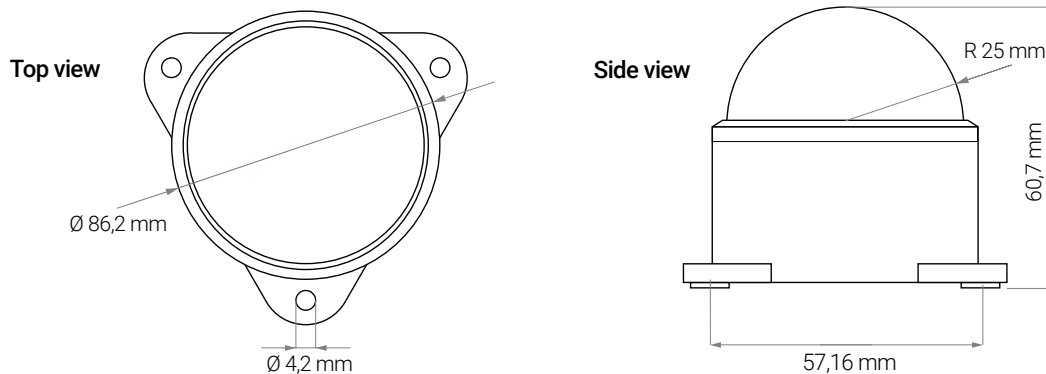


All-out Irradiation Sensor

Dimensions



Specifications

Digital Output	RS485 Modbus, Serial Output
Response Time	1 s
Sensitivity	1 W
Accuracy	3% (value not affected by tracking errors typical of pyrheliometers' measurements)
Dynamic Range	0-2000 W
Mounting Zenithal Tilt Tolerance	± 5 degree
Mounting Azimuthal Tilt Tolerance	± 180 degree
Field of View	3π Rad
Max Data Rate (complete dataset)	1 Hz
Operating Temperature Range	-30°C ÷ 85°C
Humidity Range	0-100%
International Protection	67
Measure Stability	>99% per year
Power Supply	2 options: 5-12 V _{DC} or 10-24 V _{DC}
Max Power Consumption	0.1 W
Weight (without cable)	150 g
10 m long cable Weight	400 g

Ordering info

Link www.sunto.technology/sensing/CaptPro#order

Email sales@sunto.technology