



# Adjustable Mounting Holder

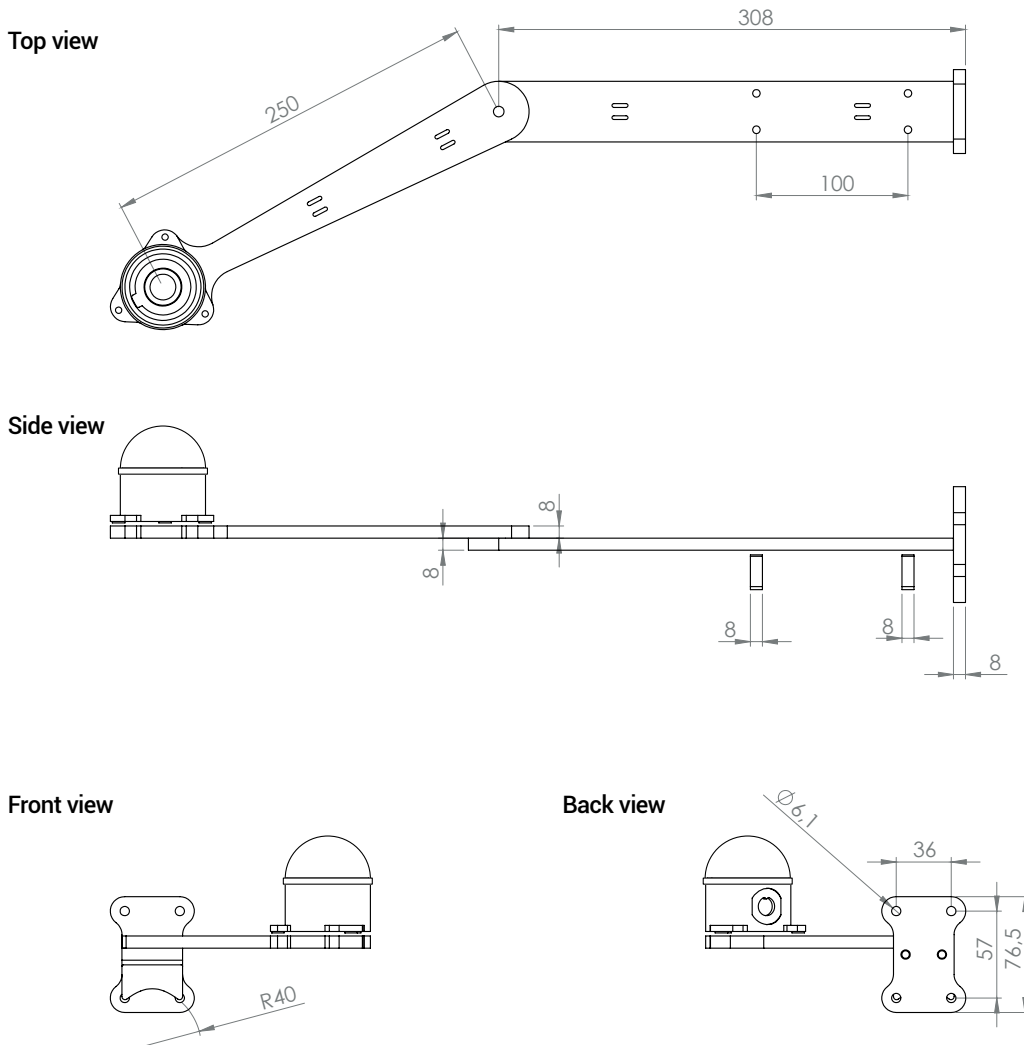
## Description

In order to guarantee a correct setting and to keep free the field of view of the bottom window, it is recommended to install the All-out Irradiation Sensor on its mounting holder, as it shown in the following technical drawings.

The holder, made in anodized aluminium, is designed to be mounted in a vertical wall or in a vertical/horizontal pole or in the hedge of a flat surface: it is enough to mount or unmount the adaptors to choose the best coupling between the holder and the fixing points.

The total weight of the Adjustable Mounting Holder is 550 g.

## Dimensions



## Ordering info

**Link** [www.sunto.technology/sensing/CaptPro#order](http://www.sunto.technology/sensing/CaptPro#order)

**Email** [sales@sunto.technology](mailto:sales@sunto.technology)