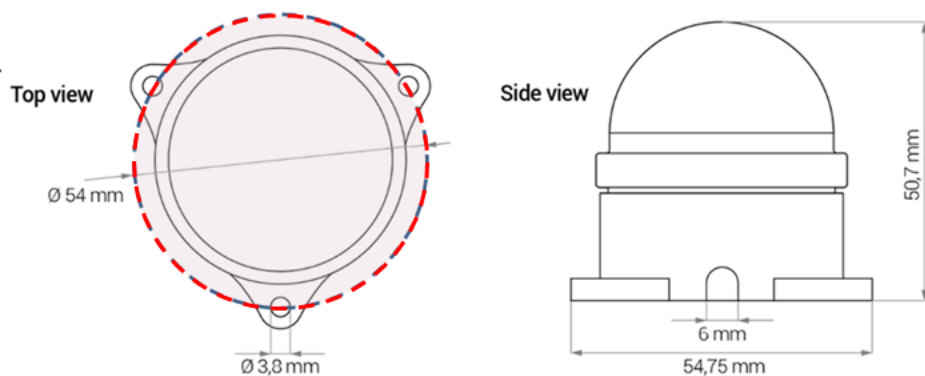


Solar Tracking Sensor

Dimensions



Specifications

Pointing error	0.01° degree
Viewing angle in both directions	180°
Operating temperature range	-30°C ÷ 80°C
Output	4-channel analogue, between 0 – Operating Voltage
Operating voltage	6 – 24 V
Operating current	100 mA
IP (International Protection)	67

Ordering info

Link www.sunto.technology/sensing/STS#order

Email sales@sunto.technology